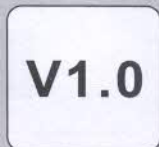


BLQ55100

2D Barcode Scanner

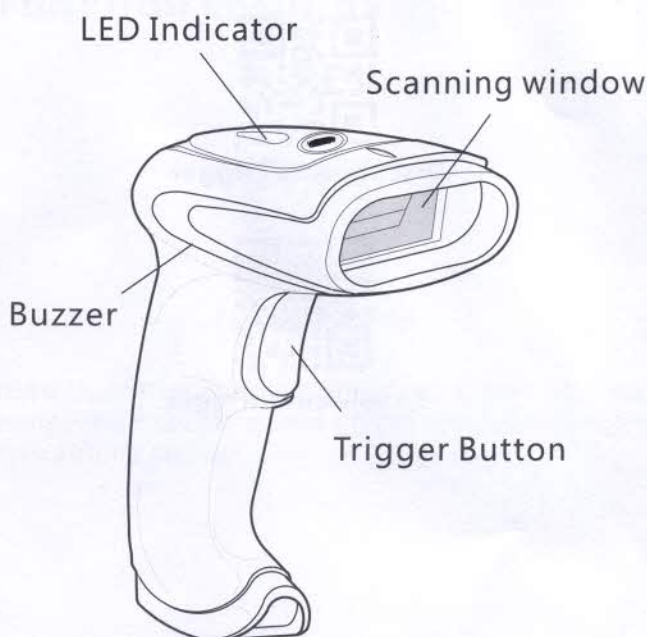
Quick Start Guide



- Contents:
- Barcode Scanner
 - Quick Start Guide
 - warranty card
 - Certificate
 - USB / RS232 Cable
 - Power Adapter (RS232)

No. : 75050135

Scanner overview



Barcode scanner

LED Indicator

LED Indication

Blue lights blinking

Explanation

Decoding Successfully

Buzzer

Beep Indication

One Beep

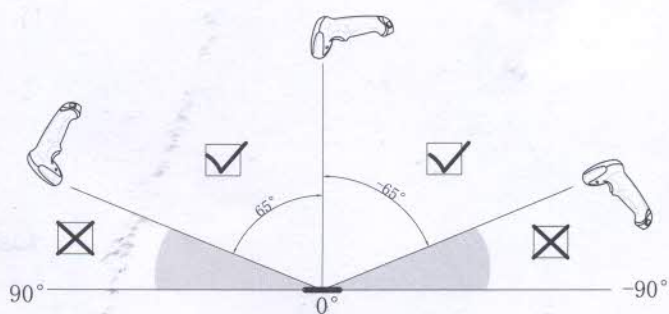
Continuous Beep

Explanation

Decoding Successfully

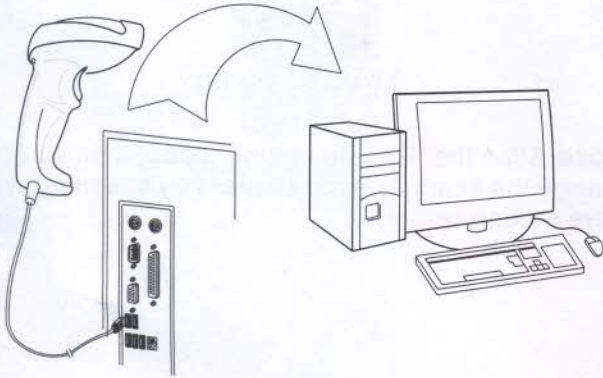
Successfully parameter setting

Scanning angle

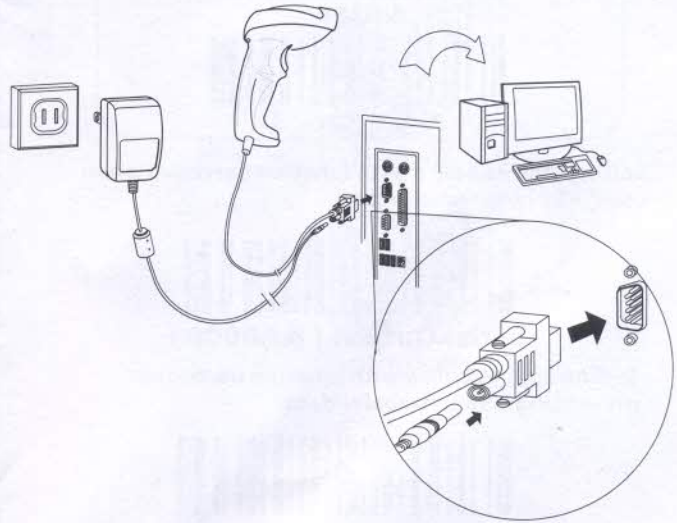


Cable plug&unplug

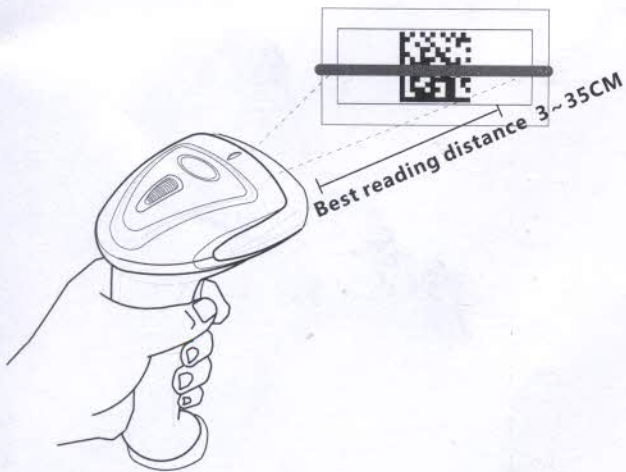
(1).USB Cable



(2).RS232 Cable



Methods and distance



NOTE: Laser beam should be full covered on the bar code

Troubleshooting Q&A:

Q1:Use the scanner with the Rs232 interface to scan the data, but the Chinese data not displayed, what should we do ?

A1:Because the software not able to recognize the Chinese, please contact the supplier to provide the software support it.

Barcode settings

interface mode settings

STEP1 : Scan the barcode of "Enter setting"

STEP2 : Scan "interface mode setting" bar code.

STEP3 : Scan "Exit" bar code



Setting step as below with function barcodes when using RS232 to transfer data



Serial Output (&A0000)

Setting step as below with function barcodes when using USB to transfer data



***USB HID Keyboard (&A0001)**

Note: Terminal should have software to transfer data when using RS232, not cursor position.

Function settings



Enable Setting

Note: Scan the "Enable setting" code, then you can change the scanner's parameters by scanning one or more setting codes

③ AIM



normal



Continuous on



Disable

① Auto trigger



Disable auto trigger



* Enable auto trigger

② Illumination



normal



Disable



Continuous on